

1

2

3

4

A

B

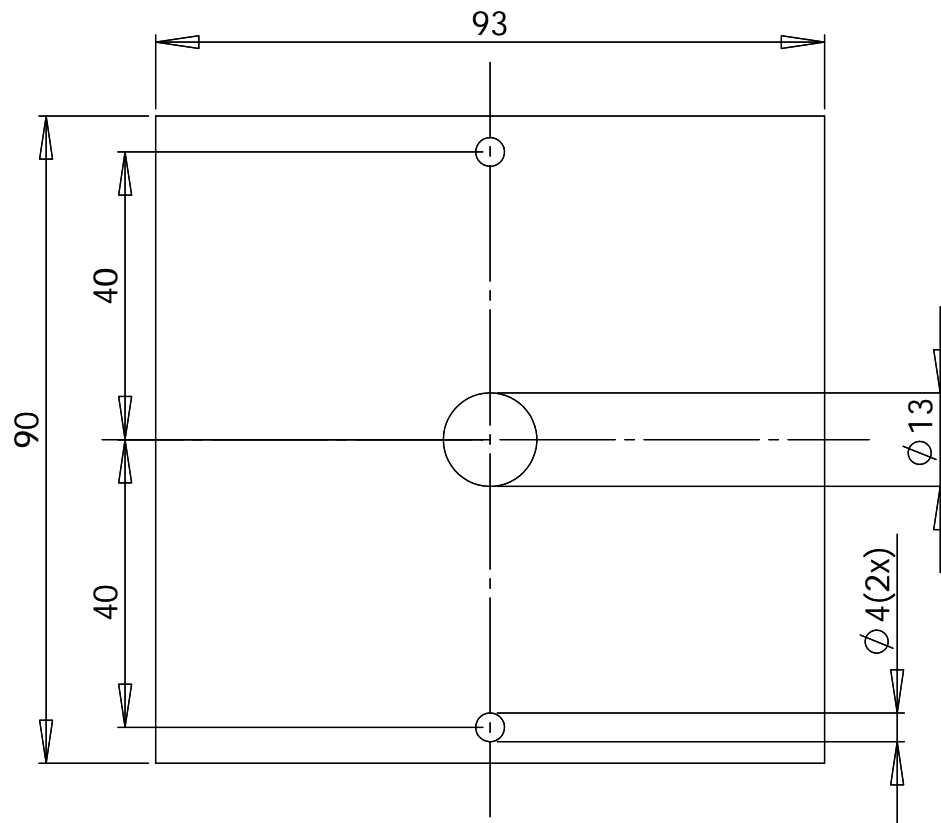
C

D

E



96



UNLESS OTHERWISE SPECIFIED:
DIMENSIONS ARE IN MILLIMETERS
SURFACE FINISH:
TOLERANCES:
LINEAR:
ANGULAR:

FINISH:

DEBUR AND
BREAK SHARP
EDGES

DO NOT SCALE DRAWING

REVISION

B.Hagner AB

Box 2256, SE-169 02 SOLNA, SWEDEN
Tel: +46 8 836150 Fax: +46 8 839357
Email: hagner@hagner.se , www.hagner.se

	NAME	SIGNATURE	DATE		
DRAWN					
CHK'D					
APPV'D					
F MFG					
Q.A					
				MATERIAL:	
				Stainless steel	
				WEIGHT:	

TITLE:

Adjustable Swivel Mount
Model SW/S

DWG NO.

swivel

A4

SCALE:1:1

SHEET 1 OF 1